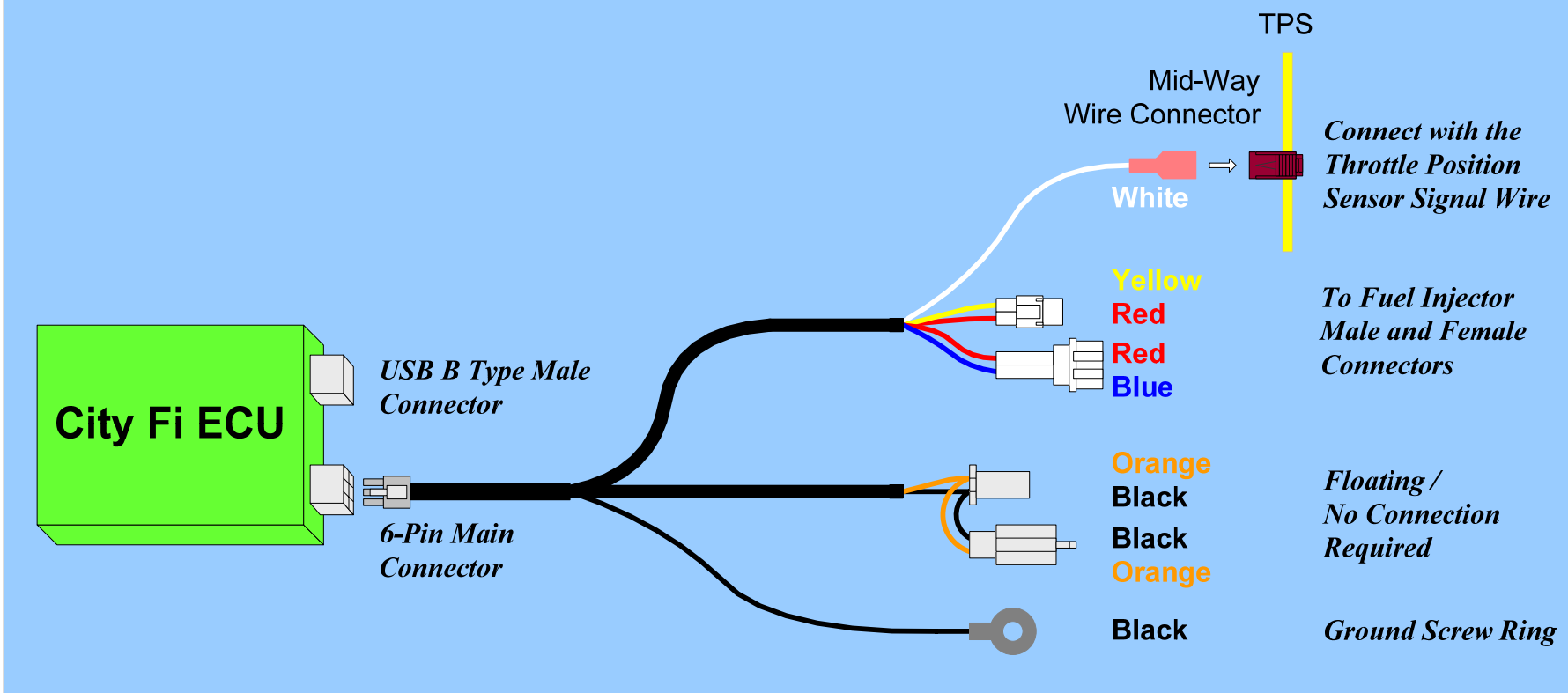
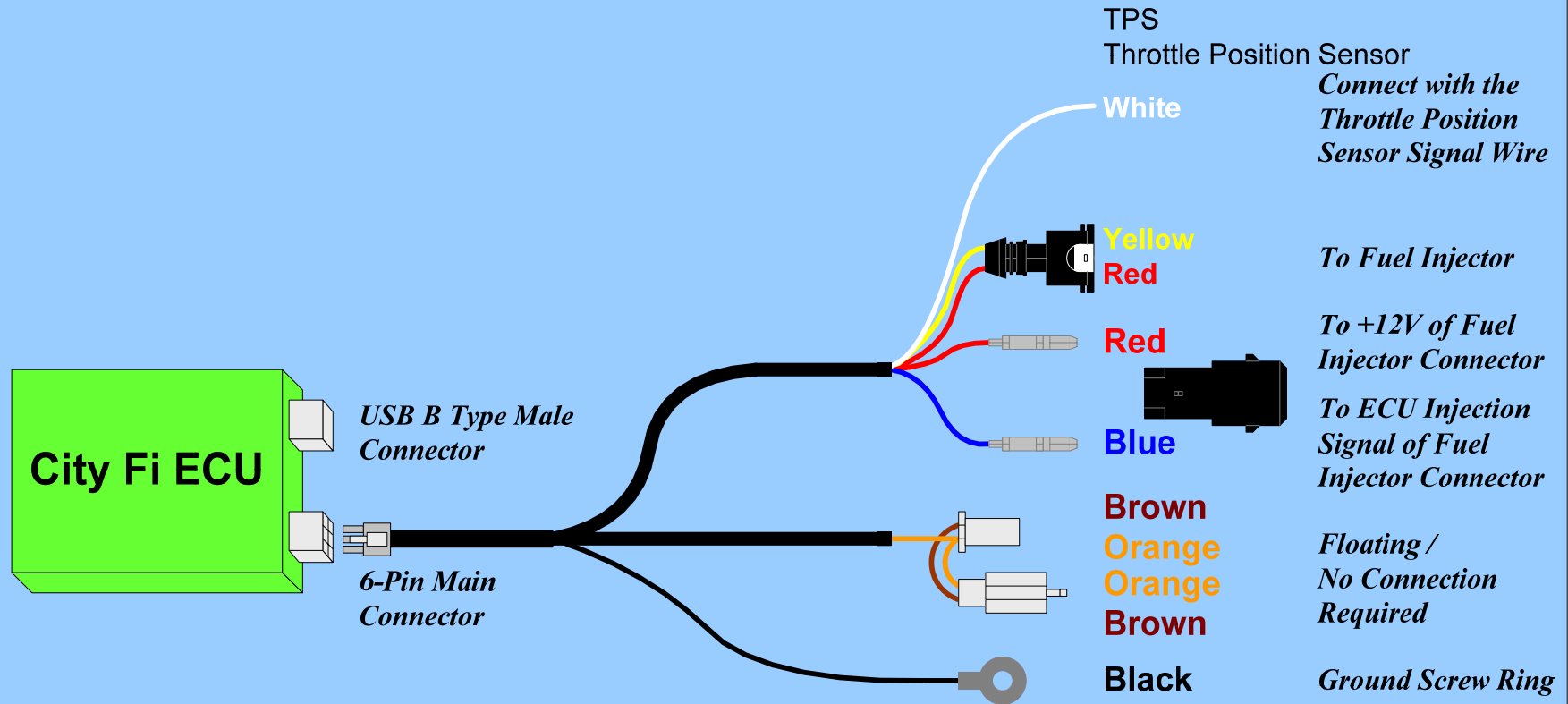


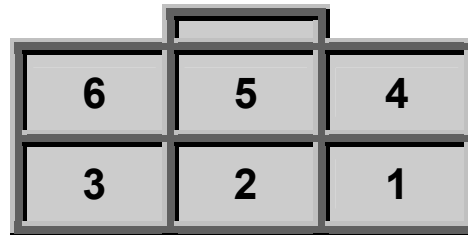
Wiring Diagram of City Fi ECU for YAMAHA



Wiring Diagram of City Fi ECU for KYMCO/SYM



Main Connector Pin Number Mapping



Main Connector Signal Definition

Pin No.	Signal Description	Wire Color
1	TPS (Throttle Position Sensor) Input	White
2	Power Ground	Black
3	Fuel Injection Input (from Factory ECU)	Blue
4	No Connection	Orange
5	+12V Power	Red
6	Fuel Injection Output (to Injector)	Yellow